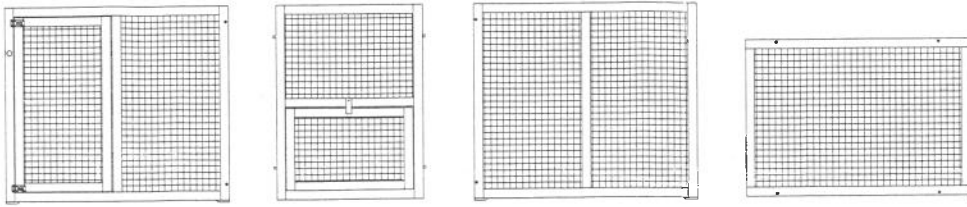




aanbouwren Joas hoog Assembly Instructions

contents box 1




①

②

③

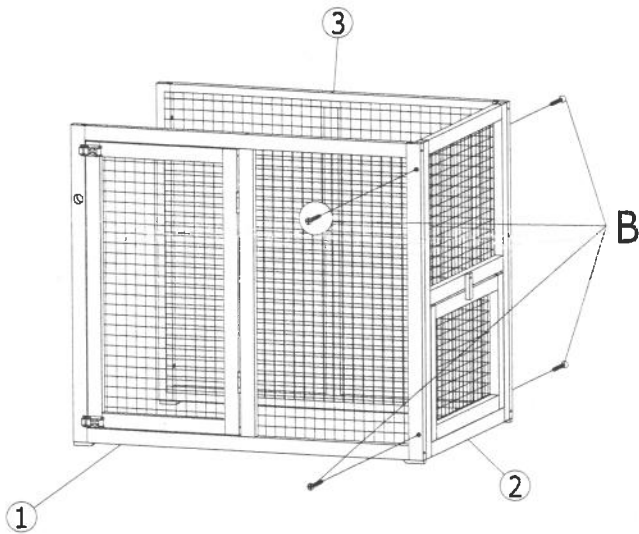
④

contents box 1

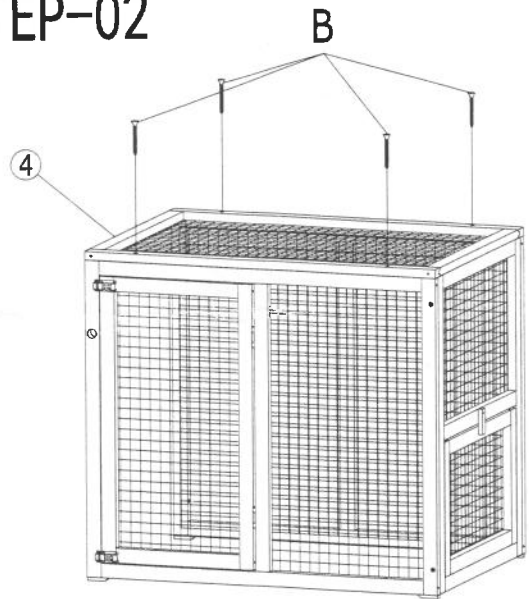
A  M3.5X60=4+1PCS

B  M3.5X45=8+1PCS

STEP-01



STEP-02



STEP-03

